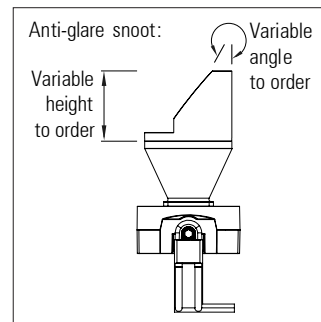
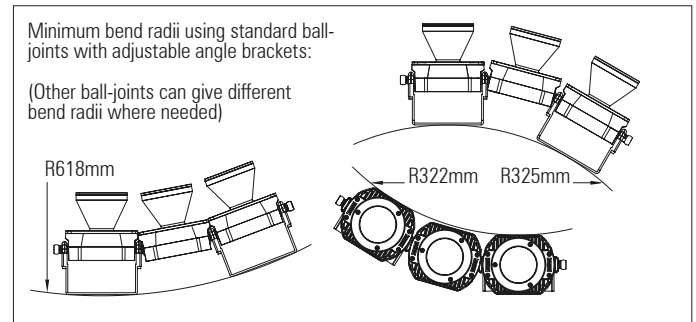
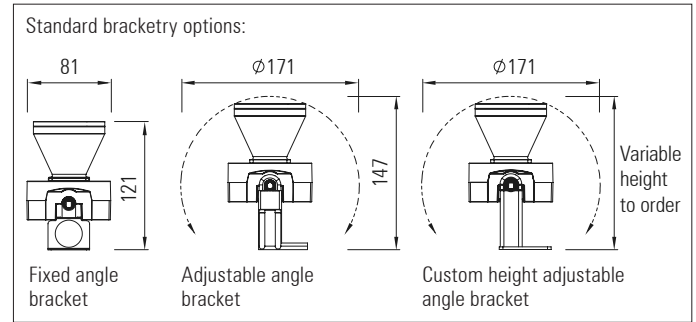
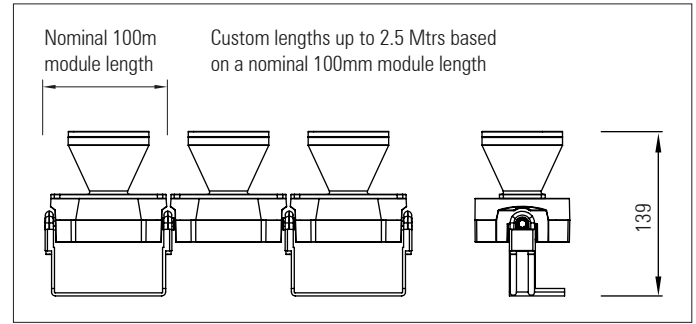
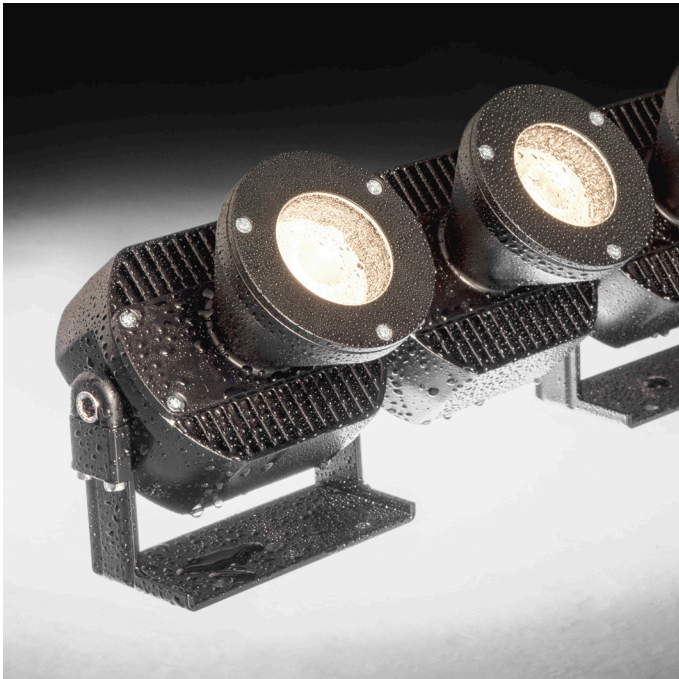
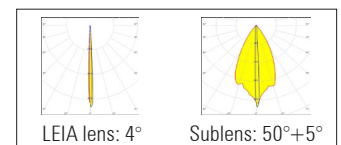


## 3D LED Flex system 100 IP66

1 x high-power LED with 4° beam lens per module  
Modular, 3D flexible LED linear lighting system



Up to 6,700 Lumens per Mtr



### 1 x high-power LED with ultra-narrow beam lens per module

Modular, 3D flexible LED linear lighting system

#### Product description:

For use in exterior wall grazing and decorative lighting applications where the building surfaces are non linear with curved profiles

Each module comprises of: 1 x Cree XHP35 HI LED with a LEDIL LEIA lens system which produces a 4° spotlight beam

An additional sublens can produce a narrow high-aspect (50° + 5°) oval beam

Up to 10 Watts per 100mm module

30 Volt - 48 Volt DC supply depending on application

Flexible in 3 dimensions - Articulated ball-joint system between modules

LED pitch is maintained between the modules

Side, back and end power feed and connector options allow for continuous lighting with no dark areas between fixtures. 17.5 Amp IP68 connectors join fixtures together on-site

Integral LV constant current driver

Dimming options available: 1-10V, DMX and DALI. Separate dimming channel

Various LED colour temperature and CRI options available

Satin black, satin white or any RAL paint colour finish

Custom lengths based on a 100 mm module up to 2.5 mtrs

Various mounting options and bracket types are available

Low iron UV block glass covers or UV stable polycarbonate windows

Product Code	No. of LEDs per mtr.	IP	Length (mm)	LED Type	Optics (°)	Colour Temp. (K)	CRI	Anti-glare Snoot	Bracket Type	Feed	Finish
RAD 3D LED FLEX 100 IP66 ULTRA NARROW	10 LEDs per Mtr: (100mm pitch between LEDs)	66	100mm -increments of 100mm up to- 2,500mm	Cree: XHP35 HI	LEDIL LEIA lens: Ultra-narrow 4° spot beam  + sublens: Ultra-narrow 50° + 5° oval beam	27=2,700k 30=3,000k 35=3,500k 40=4,000k 45=4,500k 50=5,000k	80 90	Cut-angle: 0° - 75° (increments of 5°)  Height: 20mm - 305mm (increments of 5mm)	Adjustable angle  Fixed angle  Custom height adjustable angle: Specify leg height: 20mm - 305mm (increments of 5mm)	End Back Side	Black White Any RAL-colour